



# Quick Installation Guide

---

## PM6264S ONT

Document Revision 1.0

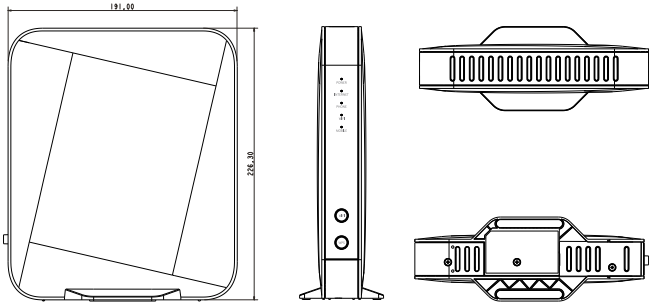
# 1 Introduction

The Radisys PM6264S XGS-PON Home Gateway Unit (HGU) is an advanced Wi-Fi 6 dual-band ONT complying with the ITU-T G.9807.1 standard via SFP+ pluggable interface. The gateway is best suited for FTTH residential and small office use that requires optimal wireless coverage.

## 2.1 Contents

- PM6264S ONT
- Quick Installation Guide
- Ethernet Cable
- Power Adaptor
- XGS-PON burst mode transceiver

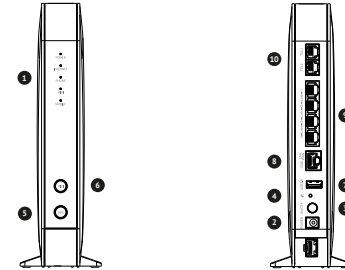
## 2.2 Product Specifications



Interfaces	Specification
WAN Uplink	PON port with SFP+ XGS-PON Transceiver Module
Ethernet	1 100/1000/10G Base-T port (RJ45)
	4 10/100/1000 Base-T ports (RJ45)

Interfaces	Specification
WiFi	4x4/4x4 Wi-Fi 6 (internal antennas)
VoIP	2 FXS ports (RJ11)
USB	USB 3.0 Type A
Power Adaptor Input	110-240VAC, 50/60Hz
Power Adaptor Output	+12VDC nominal, 2.5A
Operating Temperature	5 to 40°C (41 to 104°F)
Operating Humidity	5 to 85% (non-condensing)
Dimensions	226 x 191 x 46 mm (W x D x H)

## 2.3 Interfaces



Item	Description
1 LEDs	Status LEDs
2 POWER	Power port for external Power Adaptor
3 ON/OFF Button	Turn power ON or OFF
4 RESET	Reboot ONT (quick push)
	Reset to factory (press and hold for 10 seconds)

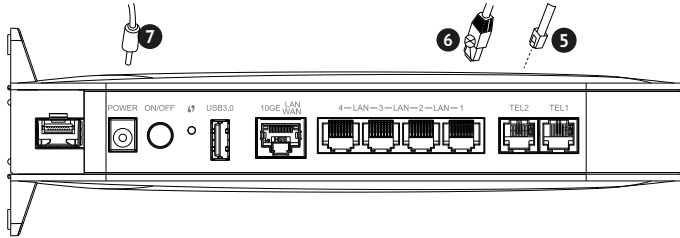
Item	Description
5 WPS	Press to initiate WPS connection
6 WIFI	Press to enable or disable Wi-Fi radios
7 USB	USB port for ancillary equipment
8 10GE	10GE Ethernet ports for PC or LAN (RJ45)
9 GE 1-4	1GE Ethernet ports for PC or LAN (RJ45)
10 TEL 1	Phone port for telephony (RJ11)

## 2.4 LED Status Indicators



Label	Color	Status	Definition
POWER	White	ON	Normal operation
		Slow blink	Reset to factory defaults, not configured for service
		Slow blink	Initializing, start of boot process
INTERNET	RED	ON	Loss of Signal (LOS) alarm
	White	ON	Internet service available, IP address
		Slow blink	Reset to factory defaults, not configured for service
WIFI	White	ON	2.4GHz/5GHz Wi-Fi radio is enabled with security

Label	Color	Status	Definition		
		Slow blink	WPS push-button activated		
		Slow blink	Reset to factory defaults, not configured for service		
		OFF	2.4GHz/5GHz Wi-Fi radio is disabled, WPS is not active		
PHONE	White	ON	Telephone port registered for service		
		Fast Blink	Telephone line is off hook		
		Slow blink	Reset to factory defaults, not configured for service		
		OFF	Telephone port is disabled or un-registered		
		MOBILE	White	Fast Blink	Voice ports in use (VoCS), Incoming Call, Outgoing Call, Call established
				Slow blink	Network detected – Backup Mode
ON	Data connection established – Backup Mode				
	Red	Slow blink	Attempting to set up mobile connection – Backup Mode		
		ON	No SIM card detected – Backup Mode		
		Fast blink	Network problem – SIM not registered or disabled – Backup Mode		



### 3.1 Installation

1. Remove ONT from packaging.
2. Place ONT upright on desktop.
3. Lift ONT to expose WAN port. Remove the protection plug (black) from the XGS-PON Transceiver Module.
4. Connect fiber optic cable with SC/APC termination to XGS-PON Transceiver Module.
5. Connect telephone cable (5) with RJ11 termination to PHONE.
6. Connect Ethernet cable (6) with RJ45 termination to 10G LAN and LAN 1-4. Recommend CAT6 or better Ethernet cable for 10GE port.
7. Connect Power Adaptor cable (7) with 2-pin barrel to POWER port.
8. Plug in Power Adaptor into electrical outlet.
9. Push ON/OFF button. Check LED power up sequence.

User note: ONT may be upgraded to newer software image prior to provisioning of services. ONT may reset after initial boot up sequence is complete or software image is upgraded.

## 4 Web Graphical User Interface

You can access the ONT through a web browser using the following steps:

- Connect an Ethernet cable from your computer to any of the 10G or LAN 1 - 4 ports.
- Launch a web browser and connect to address 192.168.1.1.
- After response, enter the following:
  1. Username : user
  2. Password: user

After initial login, it is recommended that password be changed.

## 5 Caution

Please follow the instructions below to avoid physical injury:

- This unit is for indoor use only.
- Do not remove XGS-PON Transceiver Module from SFP+ cage.
- All Ethernet, telephone and power wiring are limited to inside of the building.
- You should not install ONT during lightning storms to avoid electrical shock.
- Never look directly at the fiber port and fiber cable ends when they are powered on.
- DO NOT plug in, turn on or attempt to operate an obviously damaged unit.
- DO NOT use near water.
- DO NOT operate ONT in a location where maximum ambient temp. exceeds 40°C.
- DO NOT place near high temperature source.
- Set up the unit away from direct sunlight or other electrical equipment.
- Open optical connections must use a protective cap under all circumstances to protect against physical damage and dirt.
- Avoid impact stresses when handling connectors.
- Physical damage to optical connections impairs transmission quality.
- Avoid a bend radius in excess of 30 mm for fiber optic links.
- Check the available voltage supply.
- Only connect approved accessories.
- This equipment is not suitable for use in locations where children are to be present.
- DO NOT disassemble the unit.

## 6 Limited Warranty

The product warranty does not cover damage resulting from hardware being installed in areas subject to rain, high humidity, water ingress and dust or debris. Disassembling product or removing enclosure cover from the assembly is a safety hazard and will void warranty. PM6264S may only be repaired by authorized service personnel.

### FCC Statement

This equipment has been tested and found to comply with the limits for a Class B digital device, pursuant to part 15 of the FCC Rules. These limits are designed to provide reasonable protection against harmful interference in a residential installation. This equipment generates, uses, and can radiate radio frequency energy and, if not installed and used in accordance with the instructions, may cause harmful interference to radio communications. However, there is no guarantee that interference will not occur in a particular installation. If this equipment does cause harmful interference to radio or television reception, which can be determined by turning the equipment off and on, the user is encouraged to try to correct the interference by one or more of the following measures:

- Reorient or relocate the receiving antenna.
- Increase the separation between the equipment and receiver.
- Connect the equipment into an outlet on a circuit different from that to which the receiver is connected.
- Consult the dealer or an experienced radio/TV technician for help.

## FCC Radiation Exposure Statement

This device complies with FCC radiation exposure limits set forth for an uncontrolled environment and it also complies with Part 15 of the FCC RF Rules. This equipment must be installed and operated in accordance with provided instructions and the antenna(s) used for this transmitter must be installed to provide a separation distance of at least 25 cm from all persons and must not be co-located or operating in conjunction with any other antenna or transmitter. End-users and installers must be provided with antenna installation instructions and consider removing the no-collocation statement.

This device complies with Part 15 of the FCC Rules. Operation is subject to the following two conditions:

- (1) this device may not cause harmful interference, and
- (2) this device must accept any interference received, including interference that may cause undesired operation.

## Caution

Any changes or modifications not expressly approved by the party responsible for compliance could void the user's authority to operate the equipment.

## Canada Statement

This device contains license-exempt transmitter(s)/receiver(s) that comply with Innovation, Science and Economic Development Canada's license-exempt RSS(s). Operation is subject to the following two conditions:

- (1) This device may not cause interference.
- (2) This device must accept any interference, including interference that may cause undesired operation of the device.

L'émetteur/récepteur exempt de licence contenu dans le présent appareil est conforme aux CNR d'Innovation, Sciences et Développement économique Canada applicables aux appareils radio exempts de licence.

L'exploitation est autorisée aux deux conditions suivantes :

- 1) L'appareil ne doit pas produire de brouillage;
- 2) L'appareil doit accepter tout brouillage radioélectrique subi, même si le brouillage est susceptible d'en compromettre le fonctionnement.

The device meets the exemption from the routine evaluation limits in section 2.5 of RSS 102 and compliance with RSS-102 RF exposure, users can obtain Canadian information on RF exposure and compliance. Le dispositif rencontre l'exemption des limites courantes d'évaluation dans la section 2.5 de RSS 102 et la conformité à l'exposition de RSS-102 rf, utilisateurs peut obtenir l'information canadienne sur l'exposition et la conformité de rf.

This transmitter must not be co-located or operating in conjunction with any other antenna or transmitter. This equipment should be installed and operated with a minimum distance of 25 centimeters between the radiator and your body.

Cet émetteur ne doit pas être Co-placé ou ne fonctionnant en même temps qu'aucune autre antenne ou émetteur. Cet équipement devrait être installé et actionné avec une distance minimum de 25 centimètres entre le radiateur et votre corps.

The device for operation in the band 5150-5250 MHz is only for indoor use to reduce the potential for harmful interference to co-channel mobile satellite systems.

Les dispositifs fonctionnant dans la bande 5150-5250 MHz sont réservés uniquement pour une utilisation à l'intérieur afin de réduire les risques de brouillage préjudiciable aux systèmes de satellites mobiles utilisant les mêmes canaux;



RSYSQG6264SONT03262024