

Quick Installation Guide

PM4254G ONT

Document Revision 1.0

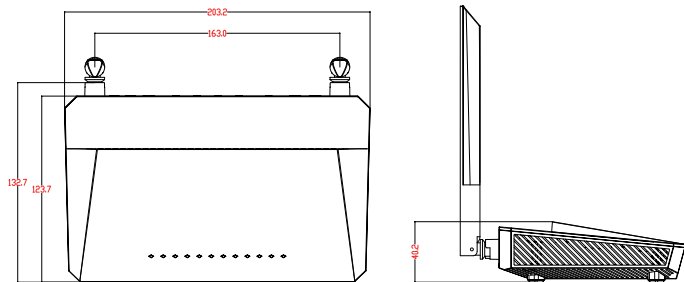
1 Introduction

The Radisys PM4254G Home Gateway Unit (HGU) is a Wi-Fi5 dual band GPON complying with the ITU-T G.984 standard. The gateway is best suited for FTTH residential and small office use.

2.1 Contents

- PM4254G ONT
- Power Adaptor
- Ethernet Cable
- Quick Installation Guide

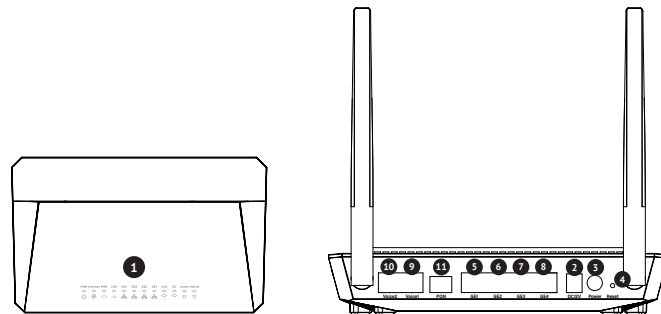
2.2 Product Specifications



Interfaces	Specification
WAN Uplink	GPON port (SC/APC)
Ethernet	4 10/100/1000 Base-T ports (RJ45)
VoIP	2 FXS ports (RJ11)

Interfaces	Specification
Power Adaptor Input	90-240VAC, 50/60Hz
Power Adaptor Output	+12VDC nominal, 1A
Operating Temperature	0 to 40°C (32 to 104°F)
Dimensions	203.2mm(L)×132.7mm(W)×40.2mm(H)

2.3 Interfaces



Item	Description
1 LEDs	Status LEDs
2 DC POWER	Power port for external Power Adaptor
3 ON/OFF Button	Turn power ON or OFF
4 RESET	Reboot ONT (quick push) Reset to factory (press and hold for 10 seconds)
5 1GE (GE1)	1GE Ethernet ports for PC or LAN (RJ45)
6 1GE (GE2)	1GE Ethernet ports for PC or LAN (RJ45)

Item	Description
7 1GE (GE3)	1GE Ethernet ports for PC or LAN (RJ45)
8 1GE (GE4)	1GE Ethernet ports for PC or LAN (RJ45)
9 POTS (Voice1)	VOIP port to connect Analog phone
10 POTS (Voice2)	VOIP port to connect Analog phone
11 PON	Optical cable termination port

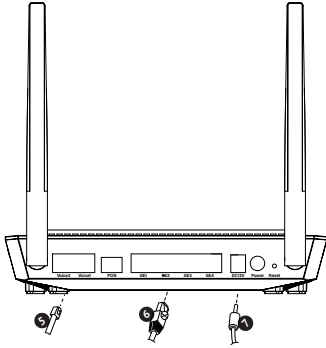
2.4 LED Status Indicators



Label	Color	Status	Definition
POWER	Green	ON	Normal operation
		Rapid blink	Reset to factory defaults, not configured for service
PON	Green	ON	WAN interface ranged and linked
		Slow Blink (1/s)	Initializing, start of boot process
LOS	RED	OFF	No alarm
		ON	Loss of Signal (LOS) alarm
INTERNET	Green	ON	Internet service available, IP address
		OFF	Internet service not available, IP or DNS failure
GE1	Green	ON	Ethernet port interface is linked
		Activity (flash)	Data transmitting
		OFF	Ethernet port is disabled or no service

Label	Color	Status	Definition
GE2	Green	ON	Ethernet port interface is linked
		Activity (flash)	Data transmitting
GE3	Green	ON	Ethernet port interface is linked
		Activity (flash)	Data transmitting
GE4	Green	ON	Ethernet port interface is linked
		Activity (flash)	Data transmitting
2.4G	Green	ON	WiFi 2.4 is up and ready for connection
		Activity (flash)	Data transmitting
5G	Green	ON	WiFi 2.4 is up and ready for connection
		Activity (flash)	Data transmitting
Voice1	Green	ON	Telephone port registered for service
		Slow Blink (1/s)	Telephone line is off hook
Voice2	Green	ON	Telephone port registered for service
		Slow Blink (1/s)	Telephone line is off hook
		OFF	Telephone port is disabled or un-registered
		OFF	Telephone port is disabled or un-registered

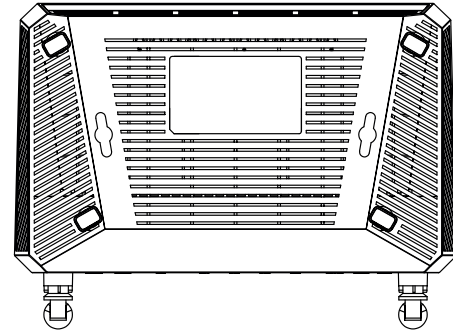
3.1 Installation



1. Remove ONT from packaging.
2. Lay ONT flat on surface or attach ONT to wall.
3. Remove protection plug (black) from WAN port.
4. Connect fiber optic cable with SC/APC termination to WAN port.
5. Connect telephone cable with RJ11 (5) termination to PHONE.
6. Connect Ethernet cable with RJ45 (6) termination to LAN port 1-4.
7. Connect Power Adaptor cable (7) with 2-pin barrel to POWER LAN port 1-4.
8. Plug in Power Adaptor into electrical outlet.
9. Push ON/OFF. Check LED power up sequence.

User note: ONT may be upgraded to newer software image prior to provisioning of services. ONT may reset after the initial boot up sequence is complete or software image is upgraded.

3.2 Mounting ONT on a wall



ONT has two mounting holes that can be used for wall mount placement. The recommended screw size is imperial #6 1" metric M4 25mm flat head screw. Please see diagram for screw separation and location.

ONT should be mounted with LEDs facing up and service interfaces facing down to avoid dust and contamination.

4 Web Graphical User Interface

You can access the ONT through a web browser using the following steps:

- Connect an Ethernet cable from your computer to any of the LAN 1-4 ports.
- Launch a web browser and connect to address 192.168.1.1.
- After response, enter the following:

1. Username: user
2. Password: user

5 Troubleshooting

The Power LED on the front panel is off after pressing the Power switch.

- Verify that the power adapter is connected correctly to the device.

Be sure to use the supplied power adapter with the device. Assurez-vous d'utiliser l'adaptateur secteur fourni avec l'appareil.

The PON LED on the front panel is off or green flashing after the device is powered on.

- The PON link is not established.
- The ONT is not registered.
- Contact the service provider for help.

The LAN LED on the front panel is off after the device is powered on.

- The corresponding LAN is not established.
- The Ethernet cable is not connected correctly.
- The network device connected to the LAN is not powered on.

The LOS LED on the front panel is flashing red after the device is powered on.

- The optical fiber cable is broken or damaged.
- The optical fiber cable is not connected to ONT PON device correctly.
- Please contact the service provider if the LED is flashing red.

6 Caution

Please follow the instructions below to avoid physical injury:

- This unit is for indoor use only.
- All Ethernet, telephone and power wiring are limited to the inside of the building.
- You should not install ONT during lightning storms to avoid electrical shock.
- Never look directly at the fiber port and fiber cable ends when they are powered on.
- DO NOT plug in, turn on or attempt to operate an obviously damaged unit.
- DO NOT use near water.
- DO NOT operate ONT in a location where maximum ambient temp. exceeds 40°C.
- DO NOT place near high temperature source.
- Set up the unit away from direct sunlight or other electrical equipment.
- Open optical connections must use a protective cap under all circumstances to protect against physical damage and dirt.
- Avoid impact stresses when handling connectors.
- Physical damage to optical connections impairs transmission quality.
- Please don't open the cover of the device, especially when the device is powered ON. It can be dangerous to do so.
- Avoid a bend radius in excess of 30 mm for fiber optic links.
- Check the available voltage supply.
- Only connect approved accessories.
- This equipment is not suitable for use in locations where children are to be present.
- DO NOT disassemble the unit.

- The socket-outlet shall be installed near the equipment and shall be easily accessible. La prise de courant doit être installée près de l'équipement et être facilement accessible.

7 Limited Warranty

The product warranty does not cover damage resulting from hardware being installed in areas subject to rain, high humidity, water ingress and dust or debris. Disassembling product or removing enclosure cover from the assembly is a safety hazard and will void warranty. PM4254G may only be repaired by authorized service personnel.

This page is intentionally left blank.



RSYSQG4254GONT07252024